



Ensure Public & Worker Safety While Reducing Liability

RF Infrastructure Sentry (RFIS™)

Continuous RF monitoring eliminates traditional regulatory compliance auditing and costly reporting.

Who's Responsible?

- Wireless operators
- Building owners
- Neutral hosts
- Rooftop management firms



Key Features & Benefits



Captures all RF technologies, including 5G



Continuous monitoring of RF exposure levels



Enhances public & worker safety



Real-time email or SMS text alert notifications



Ensures consistent regulatory compliance



On-demand mitigation photos with camera option



On-demand, compliance reports



Proactively address community concerns



Easy to operate user portal or mobile app

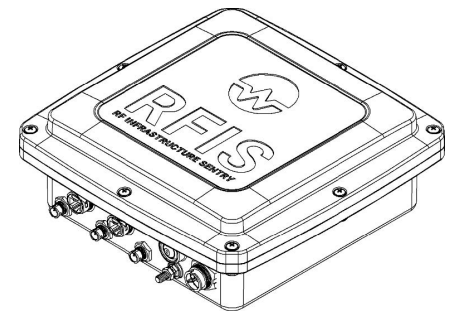
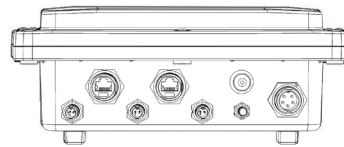
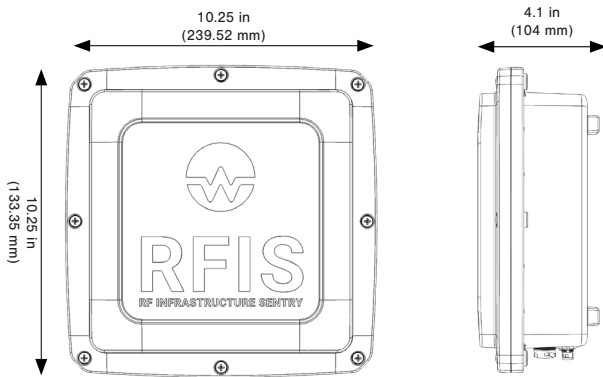




Technical Data

| | |
|----------------------------|---|
| FREQUENCY DETECTION RANGE: | Narrowband: 325 MHz - 6 GHz Broadband: 10 MHz - 70 GHz |
| POWER SOURCE: | 110 - 220V AC, -48V DC, POE |
| SCANNING BANDWIDTH: | 5 MHz |
| SAMPLING RATE: | 11.1 msec |
| RF DETECTION THRESHOLD | -90 dBm |
| MEASUREMENT RANGE: | 2 V/m - 100 V/m |
| NETWORK: | LTE, 5G, CAT5 |
| REGULATORY STANDARDS: | Global Software Localization |
| INGRESS PROTECTION TEST: | IEC 60529:2001, IP66 |
| OPERATING TEMPERATURE: | -40 °F to 140 °F (-40 °C to +60 °C) |
| POWER CONSUMPTION: | 18 - 25 W |
| DIMENSIONS: | 10.25" x 10.25" x 4.1" 260 mm x 260 mm x 104 mm |
| WEIGHT: | 2.5 lbs (1.134 kg) |
| MOUNTING: | Universal (Wall, Pole, Ceiling, etc.) |

Typical Applications



Monitoring Features

The RFIS™ dashboard provides clients with access to important alerts in real-time, as well as pertinent site related data including:

- ✓ 24/7 EME compliance reporting
- ✓ Compliance status
- ✓ RF sensor monitoring
- ✓ Mitigation controls status
- ✓ On-demand photos

