



Ensure Health & Safety Against RF While Reducing Liability

RF Infrastructure Sentry (RFIS™)

Continuous RF monitoring eliminates traditional regulatory compliance auditing and costly reporting.

Who's Responsible?

- Wireless operators
- Building owners
- Neutral hosts
- Rooftop management firms

Key Features & Benefits



Captures all RF technologies, including 5G



Continuous monitoring of RF exposure levels



Enhances public & worker safety



Real-time email or SMS text alert notifications



Ensures consistent regulatory compliance



On-demand mitigation photos with camera option



On-demand, compliance reports



Proactively address community concerns



Easy to operate user portal or mobile app

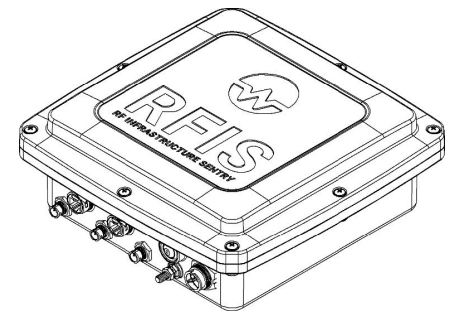
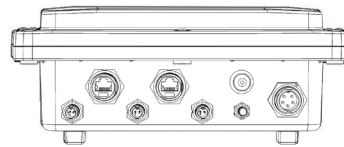
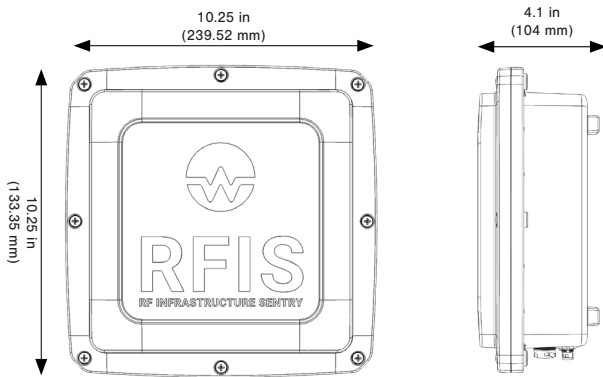




Technical Data

FREQUENCY DETECTION RANGE:	Narrowband: 325 MHz - 6 GHz Broadband: 10 MHz - 70 GHz
POWER SOURCE:	110 - 220V AC, -48V DC, POE
SCANNING BANDWIDTH:	5 MHz
SAMPLING RATE:	11.1 msec
RF DETECTION THRESHOLD	-90 dBm
MEASUREMENT RANGE:	2 V/m - 100 V/m
NETWORK:	LTE, 5G, CAT5
REGULATORY STANDARDS:	Global Software Localization
INGRESS PROTECTION TEST:	IEC 60529:2001, IP66
OPERATING TEMPERATURE:	-40 °F to 140 °F (-40 °C to +60 °C)
POWER CONSUMPTION:	18 - 25 W
DIMENSIONS:	10.25" x 10.25" x 4.1" 260 mm x 260 mm x 104 mm
WEIGHT:	2.5 lbs (1.134 kg)
MOUNTING:	Universal (Wall, Pole, Ceiling, etc.)

Typical Applications



Monitoring Features

The RFIS™ dashboard provides clients with access to important alerts in real-time, as well as pertinent site related data including:

- ✓ 24/7 EME compliance reporting
- ✓ Compliance status
- ✓ RF sensor monitoring
- ✓ Mitigation controls status
- ✓ On-demand photos

