



### Ensure Public & Worker Safety While Reducing Liability

#### RF Infrastructure Sentry (RFIS™)

Continuous RF monitoring eliminates traditional regulatory compliance auditing and costly reporting.

#### Who's Responsible?

- Wireless operators
- Building owners
- Neutral hosts
- Rooftop management firms



### Key Features & Benefits



Captures all RF technologies, including 5G



Continuous monitoring of RF exposure levels



Enhances public & worker safety



Real-time email or SMS text alert notifications



Ensures consistent regulatory compliance



On-demand mitigation photos with camera option



On-demand, compliance reports



Proactively address community concerns



Easy to operate user portal or mobile app

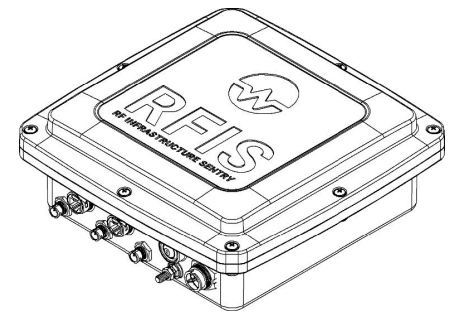
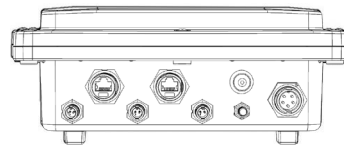
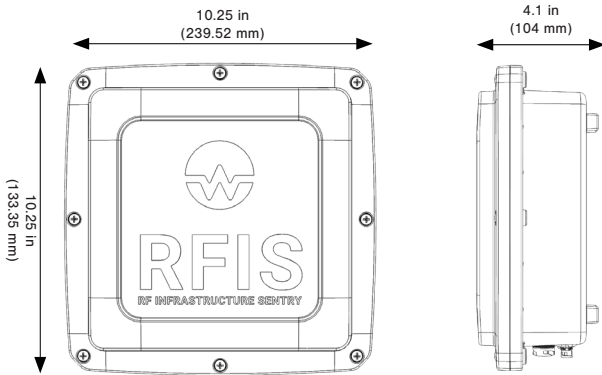




## Technical Data

|                            |   |
|----------------------------|---|
| FREQUENCY DETECTION RANGE: | Narrowband: 325 MHz - 6 GHz<br>Broadband: 10 MHz - 70 GHz |
| POWER SOURCE:              | 110 - 220V AC, -48V DC, POE                               |
| SCANNING BANDWIDTH:        | 5 MHz   |
| SAMPLING RATE:             | 11.1 msec   |
| RF DETECTION THRESHOLD     | -90 dBm   |
| MEASUREMENT RANGE:         | 2 V/m - 100 V/m   |
| NETWORK:                   | LTE, 5G, CAT5   |
| REGULATORY STANDARDS:      | Global Software Localization                              |
| INGRESS PROTECTION TEST:   | IEC 60529:2001, IP66                                      |
| OPERATING TEMPERATURE:     | -40 °F to 140 °F (-40 °C to +60 °C)                       |
| POWER CONSUMPTION:         | 18 - 25 W   |
| DIMENSIONS:                | 10.25" x 10.25" x 4.1"<br>260 mm x 260 mm x 104 mm        |
| WEIGHT:                    | 2.5 lbs (1.134 kg)  |
| MOUNTING:                  | Universal (Wall, Pole, Ceiling, etc.)                     |

## Typical Applications



## Monitoring Features

The RFIS™ dashboard provides clients with access to important alerts in real-time, as well as pertinent site related data including:

- ✓ 24/7 EME compliance reporting
- ✓ Compliance status
- ✓ RF sensor monitoring
- ✓ Mitigation controls status
- ✓ On-demand photos

